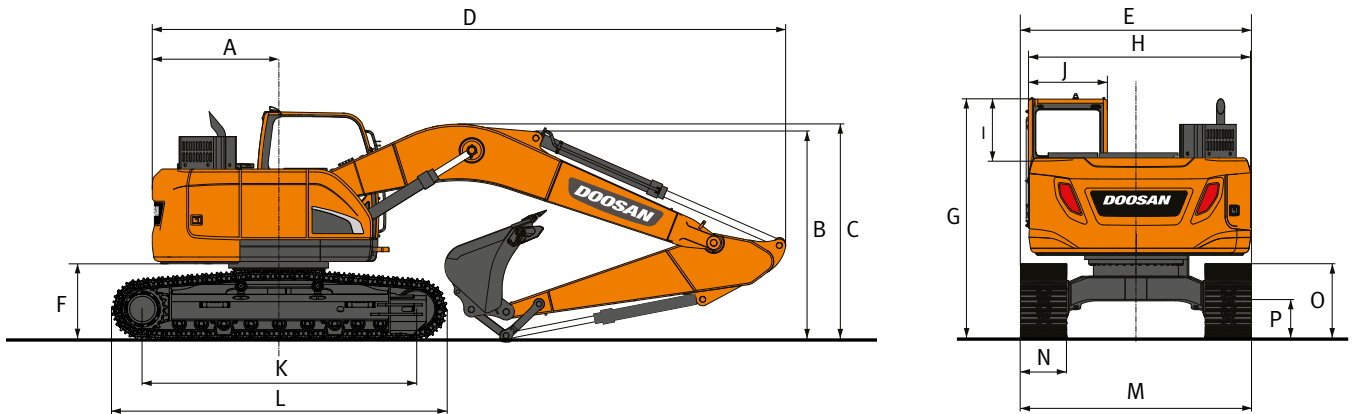


# Dimensions



## Dimensions

Boom length - mm	One-piece boom			Two-piece boom	
	2100	2500	3000	4987 (3350 LB + 2000 UB)	2500
Arm length - mm	2100	2500	3000	2100	2500
Bucket capacity - m <sup>3</sup>	0.51	0.45	0.39	0.51	0.45
A Tail swing radius - mm	1525	1525	1525	1525	1525
B Shipping height (boom) - mm	2480	2635	3060	2615	2800
C Shipping height (hose) - mm	2595	2770	3135	2990	3170
D Shipping length - mm	7365	7360	7320	7725	7650
E Shipping width std. - mm	2590	2590	2590	2590	2590
F Counterweight clearance - mm	895	895	895	895	895
G Height over cab - mm	2835	2835	2835	2835	2835
H House width - mm	2440	2440	2440	2440	2440
I Cab height above house - mm	730	730	730	730	730
J Cab width - mm	1020	1020	1020	1020	1020
K Tumbler distance - mm	3035	3035	3035	3035	3035
L Track length - mm	3755	3755	3755	3755	3755
M Undercarriage width - mm	2590	2590	2590	2590	2590
N Shoe width - mm	600	600	600	600	600
O Track height - mm	795	795	795	795	795
P Ground clearance - mm	410	410	410	410	410

## Digging forces (ISO)

Boom length - mm	One-piece boom			Two-piece boom	
	2100	2500	3000	2100	2500
Arm length - mm	2100	2500	3000	2100	2500
Bucket capacity - m <sup>3</sup>	0.51	0.45	0.39	0.51	0.45
BUCKET (Normal/Press. Up) - ton	10.4 / 11.1	10.4 / 11.1	10.4 / 11.1	10.4 / 11.1	10.4 / 11.1
ARM (Normal/Press. Up) - ton	7.2 / 7.7	6.2 / 6.5	5.6 / 6.0	7.2 / 7.7	6.2 / 6.5